

07 Draw Latch

Over-center · Living hinge

Features

- Low profile one piece molded latch
- Concealed mounting
- Secondary catch option to prevent accidental opening

Material

- Polypropylene black or white
- Secondary catch: Acetal black or red

Product Performance

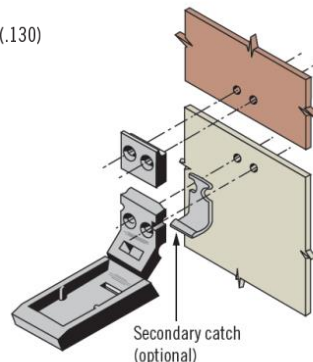
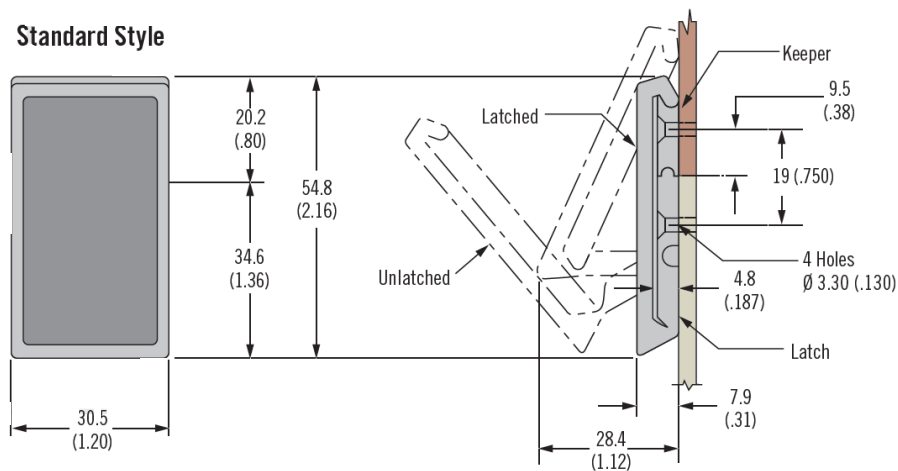
- Maximum working load:
 - Standard: 445 N
 - Secondary catch: 310 N
- Operating temperature range: 0 °C to 65 °C
- Flammability rating: UL94-HB

Installation Notes

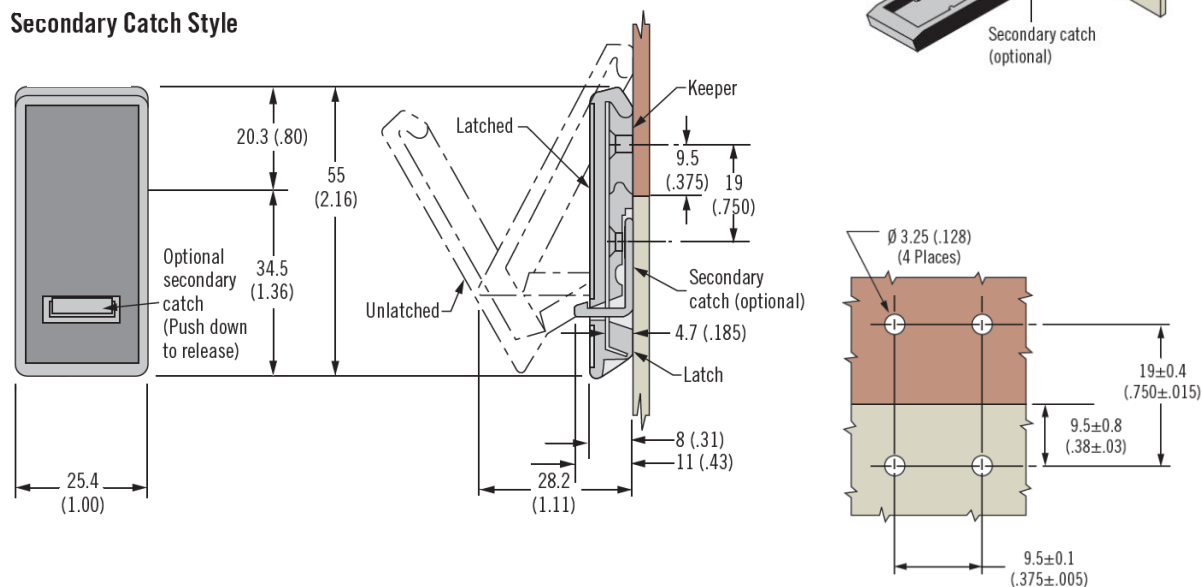
- Install assembly with four Ø3 flat head rivets or M3 flat head screws (not supplied)



Standard Style



Secondary Catch Style



B Base type

- 2 Standard
- 5 Secondary catch

F Finish

- 11 White (standard only)
- 12 Black (standard only)
- 70 Black with red secondary catch
- 72 Black with black secondary catch

07 - 10 - **B** 01- **F**